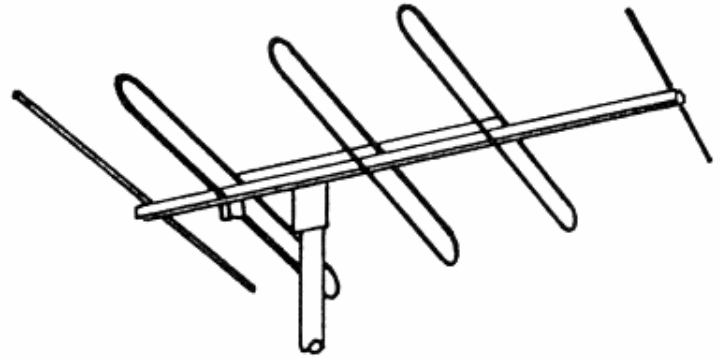


RUGGEDIZED YAGI ANTENNA

MODEL: Y-53B-220



The Yagi dipoles and parasitic elements are match marked to the supporting crossarm. The antenna main mounting clamp holes are located in the crossarm perpendicular to the element holes. The dipole insulators and parasitic elements mount to the same side of the crossarm.

Start with the dipole elements and assemble them to their marked locations on the crossarm as shown in Figure 1. The dipoles are attached with 2 ¼ inch long 1/4 inch bolts.

Next assemble the feedlines connecting the dipole elements as shown using feedline clamps and 5/8 inch long 10-32 screws (See Figure 2). The ends of the feedlines are also marked according to the dipole they are connected to. Attach feedlines at dipoles to top of clamps. The feedline clamps should be assembled as close as possible to the plastic insulators.(See Figure 2)

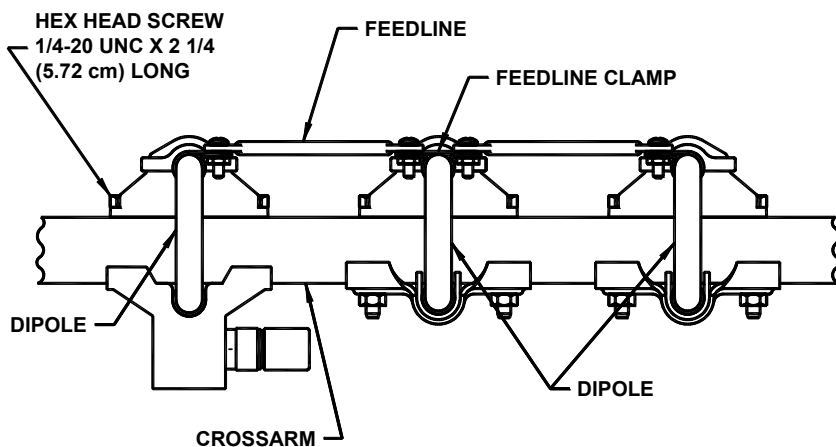


FIGURE 1

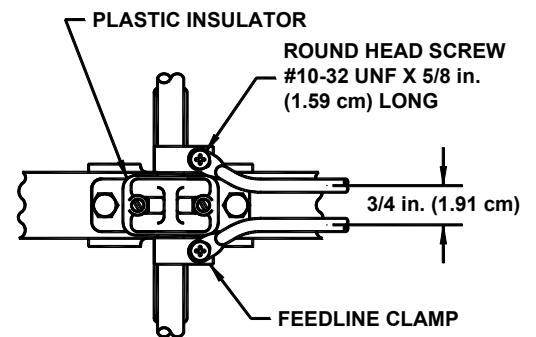


FIGURE 2

The parasitic elements are mounted onto the crossarm at its match marked location, with 2 ¼" long, 1/4" bolts, as shown in Figure 3.

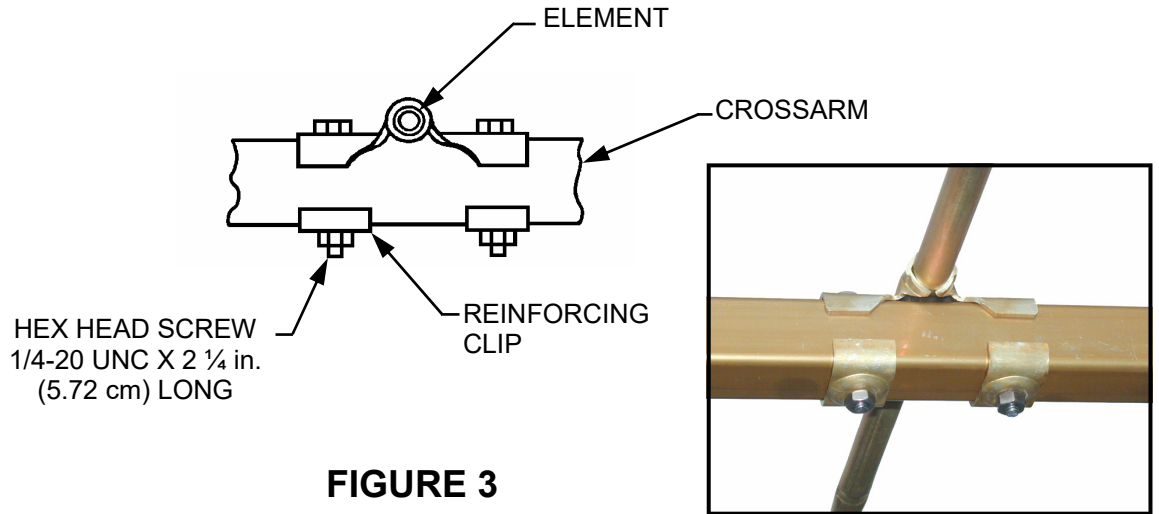


FIGURE 3

The antenna main mounting clamp is assembled to the crossarm at the unmarked holes (perpendicular to the element holes) with 2 ¼" long, 3/8" diameter hex head bolt as shown in Figure 4.

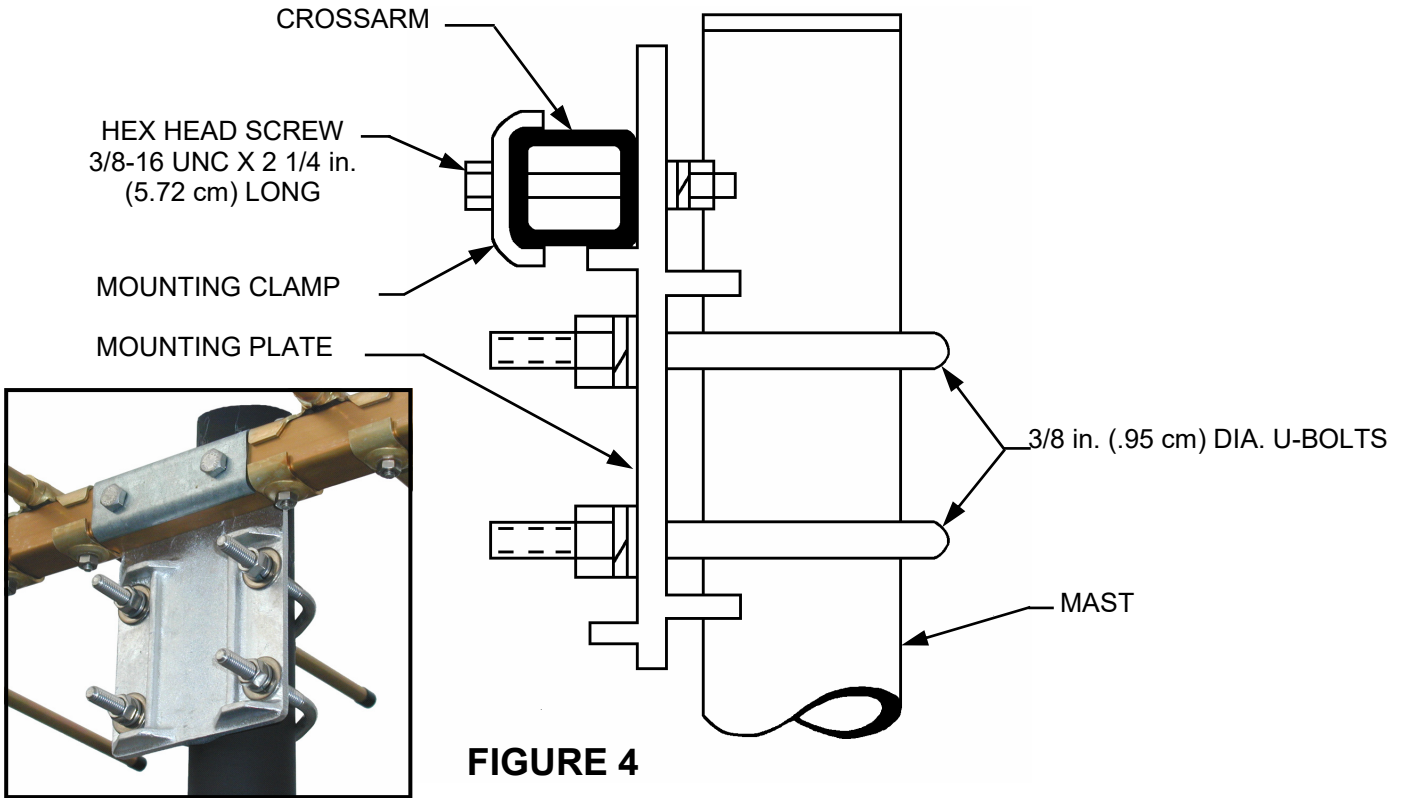


FIGURE 4

SAFETY PRECAUTIONS

1. To protect your antenna and TV set from lightning damage, you should use a lightning arrester. Attach the lightning arrester to the twin-lead at the point where it enters the house. Drive a ground rod at least 4 feet into the ground. Use ground wire to connect the antenna mast and the lightning arrester to the ground rod.
2. Keep antenna and lead-in a safe distance from any power lines.