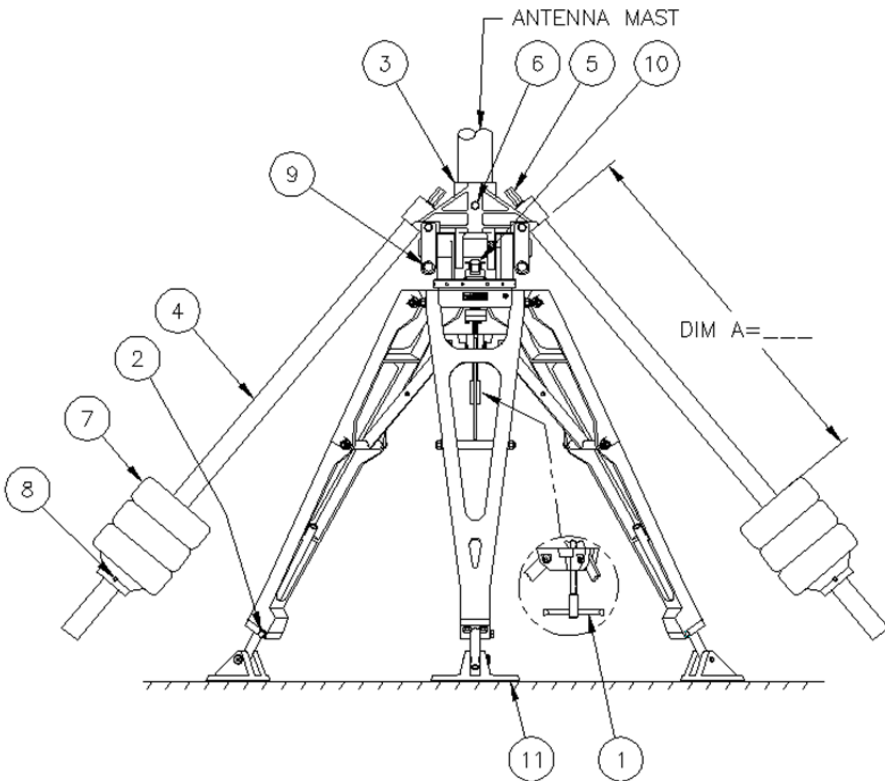


## HM-5 INSTALLATION INSTRUCTIONS

NOTE: TO SATISFY MOUNTING REQUIREMENTS, ADHERE TO THE STATED TORQUE REQUIREMENTS.

1. Remove mount from crate, place on feet and open the tripod legs using the T-handle screw.
2. Level the mount using the adjustable legs and finish by tightening the adjustable leg bolts.  
*Note: A level is provided assembled to the azimuth pivot bracket.*
3. Affix the mount to a concrete pad, or other suitable foundation, using the 5/8" diameter holes provided in the feet and placing rubber foot pad between the foundation and mount foot.
4. Assemble the counterweight handles by inserting the threaded end of the handle into the elevation pivot bracket and tightening the counterweight handle screw.
5. Assemble the antenna to the mount by inserting the mast into the elevation pivot bracket in the horizontal position and secure using the mast clamp screw to 40 FT\*LB (dry).
6. Mount counterweights to balance the system and secure each by tightening the set screws.  
*Note: See Table 2 for counter weight requirement information.*
7. Lock into the desired position using azimuth lock wrench and elevation lock bolts. Torque elevation lock bolts to 60 FT\*LB (dry).



**FIGURE 1 - HM-5 MOUNT FOR ANTENNA MODEL H-124 IN VERTICAL ORIENTATION SHOWN**

TABLE 1 – PART IDENTIFICATION LIST	
ITEM	DESCRIPTION
1	T-HANDLE ADJUSTMENT SCREW
2	ADJUSTABLE LEG BOLT
3	ELEVATION PIVOT BRACKET
4	COUNTERWEIGHT HANDLE
5	COUNTERWEIGHT HANDLE SCREW
6	MAST CLAMP SCREW
7	COUNTERWEIGHT
8	COUNTERWEIGHT SET SCREW
9	ELEVATION LOCK BOLT
10	AZIMUTH LOCK WRENCH
11	RUBBER FOOT PAD

TABLE 2 – COUNTERWEIGHT INFO		
ANT. MODEL	DIM A=___	COUNTERWEIGHTS PER HANDLE
H-124	30 3/8 in.	3
H-104	36 5/8 in.	2
H-084	25 5/8 in.	2
H-085	29 5/8 in.	1
HS-085	29 5/8 in.	1