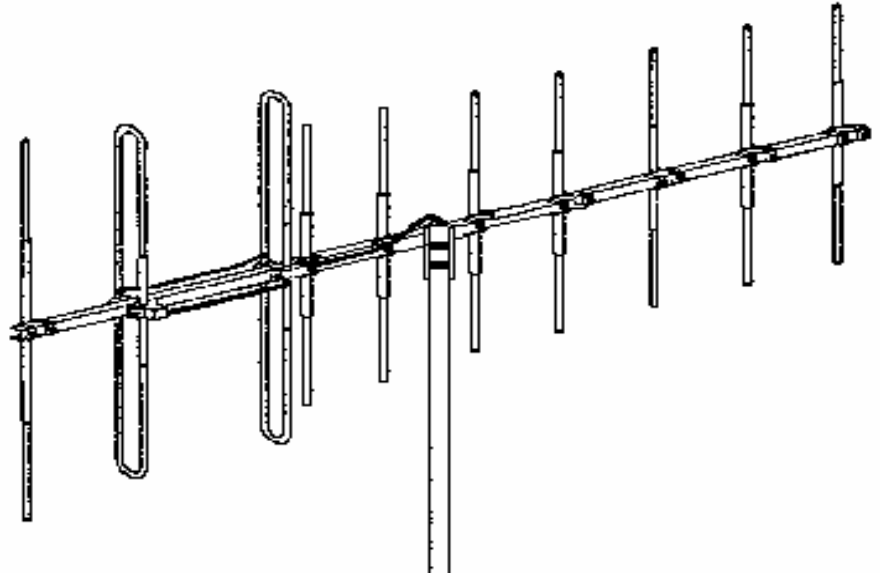


INSTRUCTION BOOKLET

Y103B-400V

YAGI ANTENNA



The Yagi dipoles and parasitic elements are match marked to the supporting crossarm. The antenna main mounting clamp holes are located in the crossarm parallel to the element holes. The dipole insulators and parasitic elements mount to the same side of the crossarm.

Start with the dipole elements and assemble them to their marked locations on the crossarm as shown in Figure 1. The dipoles are attached with 2 ¼ inch long 1/4 inch bolts.

Next assemble the feedlines connecting the dipole elements as shown using feedline clamps and 5/8 inch long 10-32 screws (See Figure 2). Attach feedlines at dipoles to top of clamps with a center-to-center spacing of 3/4 inch. (See Figure 2)

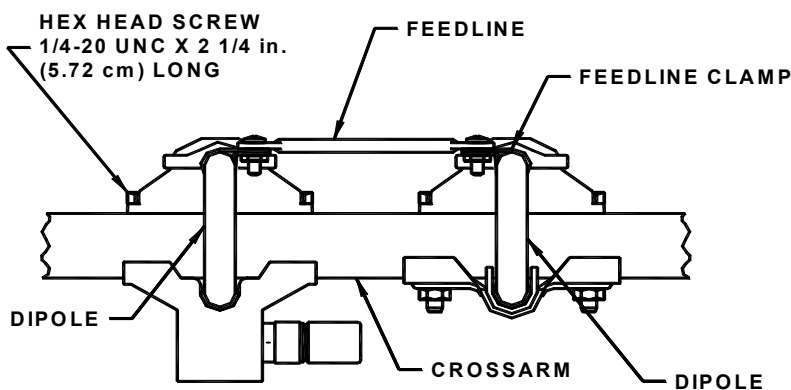


FIGURE 1

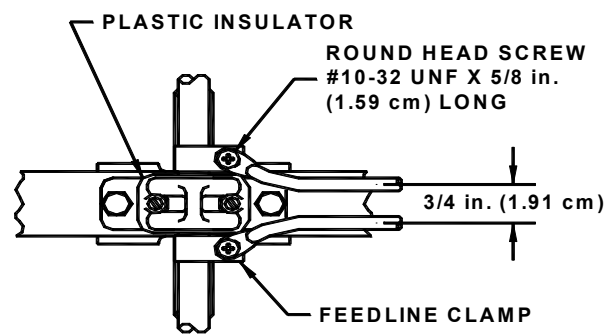


FIGURE 2

The parasitic elements are mounted onto the crossarm at their match marked locations, with 1.25" long, 10-32 Srews, as shown in Figure 3.

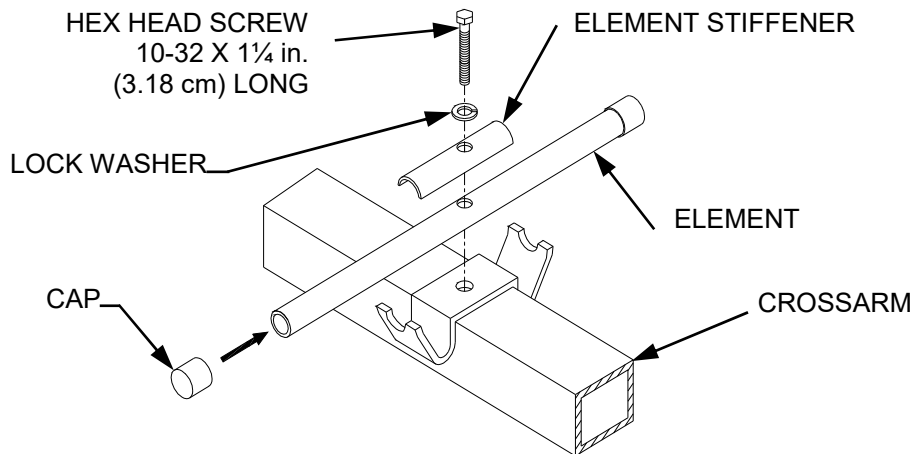


FIGURE 3

The antenna main mounting clamp is assembled to the crossarm at the unmarked holes (parallel to the element holes) with 2 1/4" long, 3/8" diameter hex head bolt as shown in Figure 4. Assemble the two 3/8" diameter U-bolts into the mounting casting. Do not overtighten.

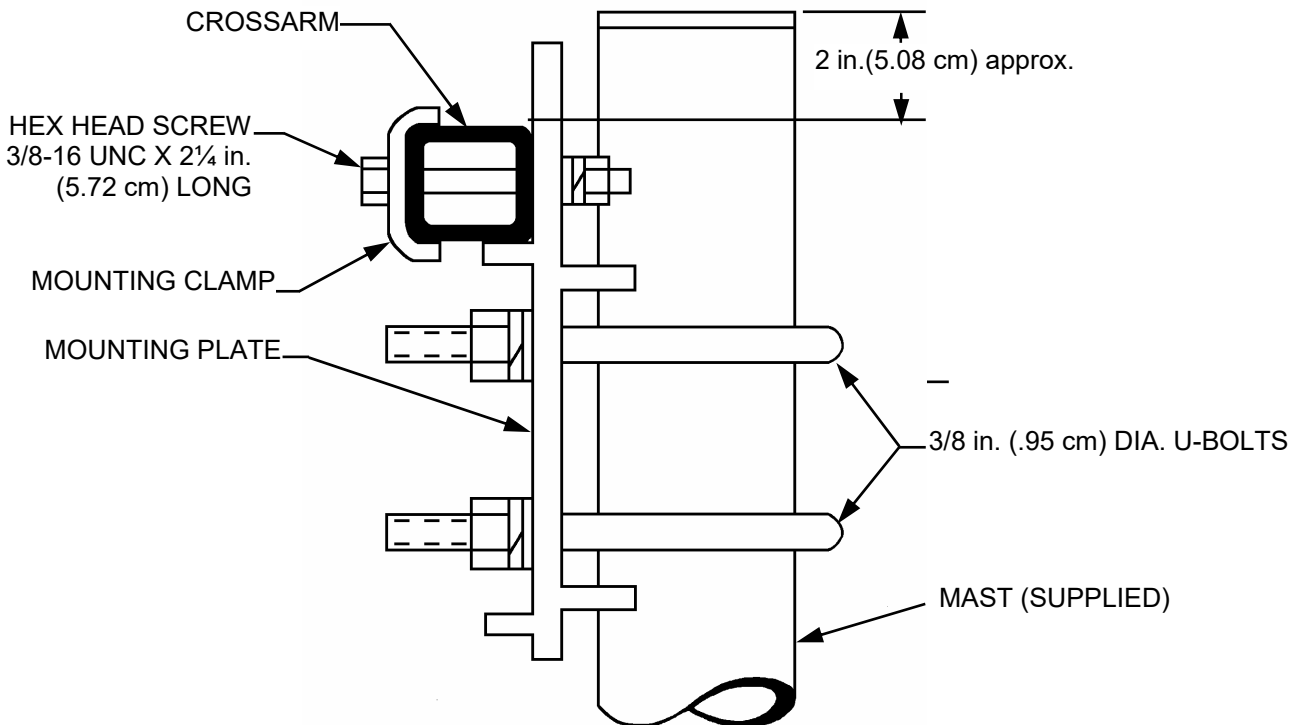


FIGURE 4

MOUNTING ASSEMBLY

1. Install 6 Clamping Bolts and Hex Nuts to the antenna base per Fig.5.
2. Slide the Antenna Base onto the Mounting Mast.
3. Tighten the Clamping Bolts while keeping antenna plumb and centered on the Mounting Mast.
4. Tighten Hex Nuts against the antenna base.

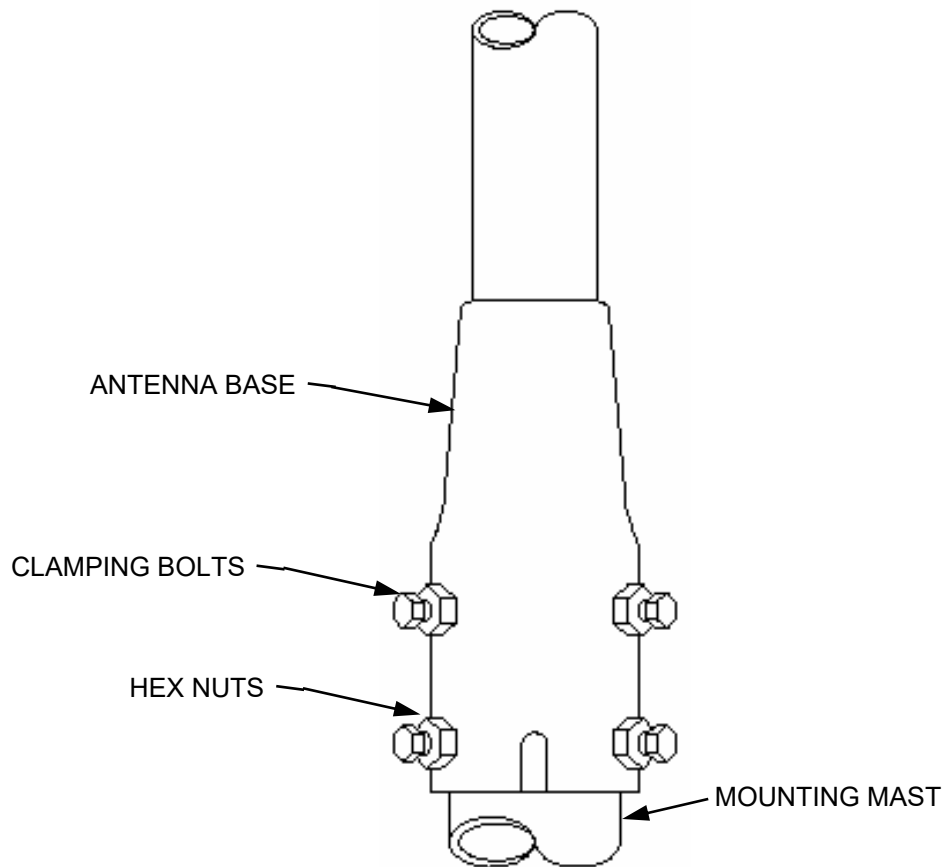


FIGURE 5

SAFETY PRECAUTIONS

1. To protect your system from lightning damage, use a properly grounded lightning arrestor in line with the down-lead cable.
2. Keep antenna and lead-in a safe distance from any power lines.