

The Parasitic Elements are mounted onto the crossarm at their respective locations, with 2 " long, 1/4" Bolts, Reinforcing Clips, Lockwashers and Nuts as shown in Figure 3.

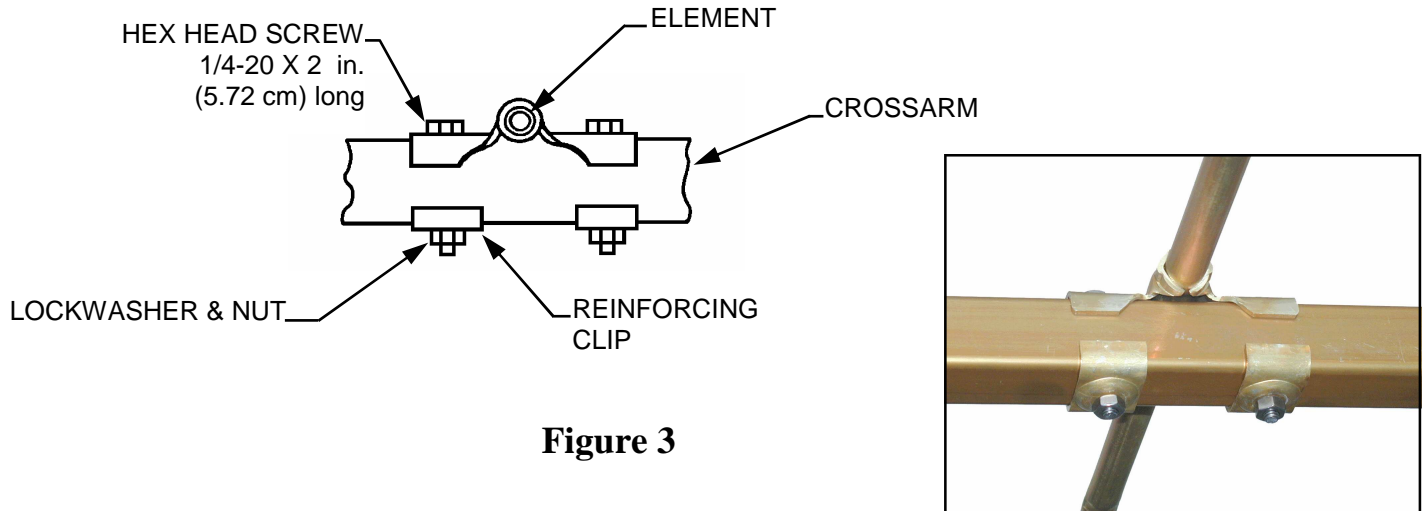


Figure 3

The antenna main Mounting Clamp is assembled to the crossarm at the holes, perpendicular to the element holes, with 2 1/4" long, 3/8" diameter Hex Head Bolt as shown in Figure 4.

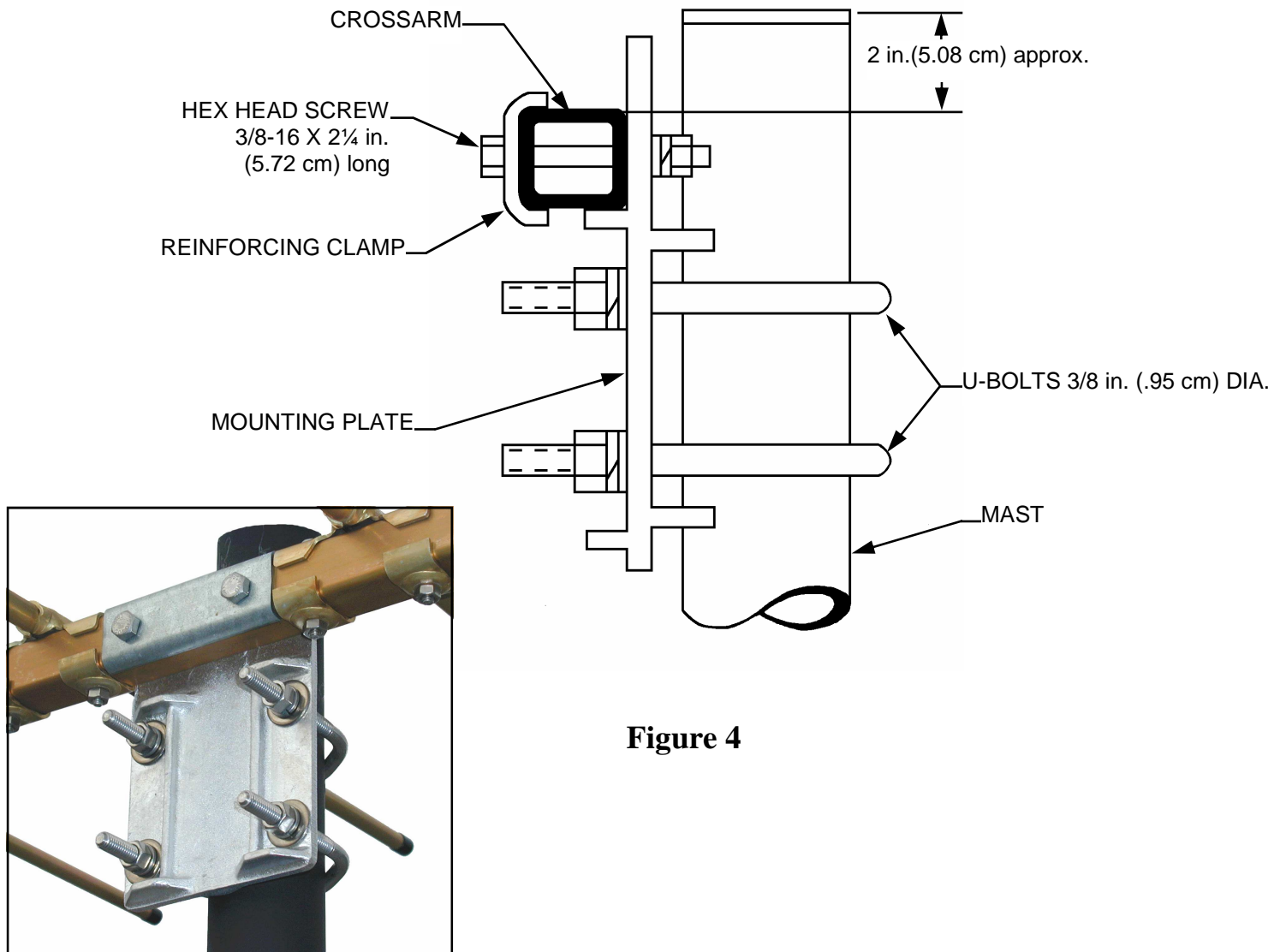


Figure 4

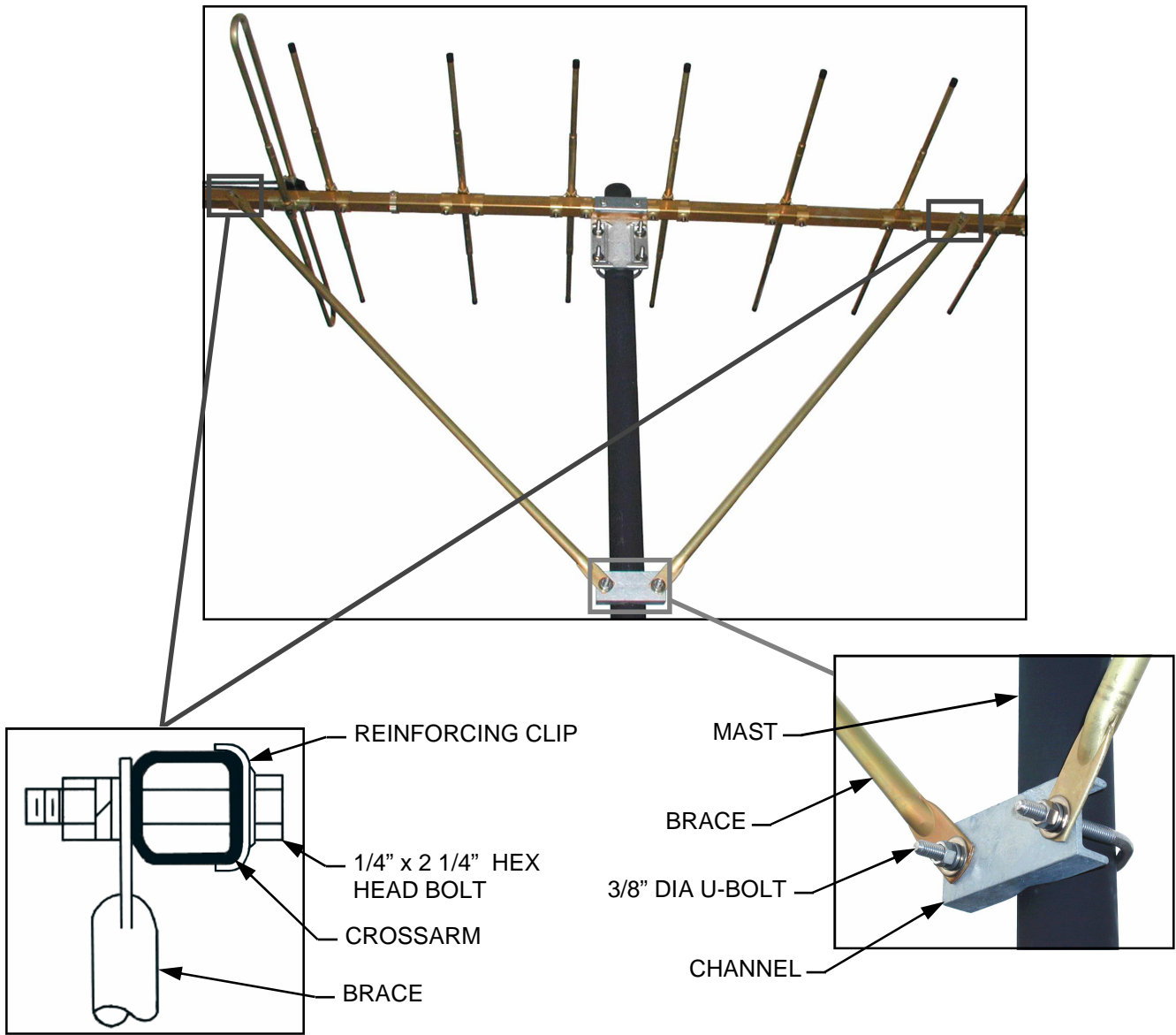


Figure 5

The antenna Braces are assembled to the crossarm at their marked holes 1 or 2 (perpendicular to the element holes) with 1/4" x 2 1/4" Hex Head Bolts, Reinforcing Clip, Washer, Lockwasher and Hex Nut. Opposite ends are assembled to the channel and 3/8" U-Bolt, Washer, Lockwasher and Hex Nut assembly as shown in Figure 5.

SAFETY PRECAUTIONS

1. To protect your antenna and equipment from lightning damage, you should use a lightning arrestor. Attach the lightning arrestor to the downlead at the point where it enters the building. Drive a ground rod at least 4 feet into the ground. Use ground wire to connect the antenna mast and the lightning arrestor to the ground rod.
2. Keep antenna and downlead a safe distance from any power lines.

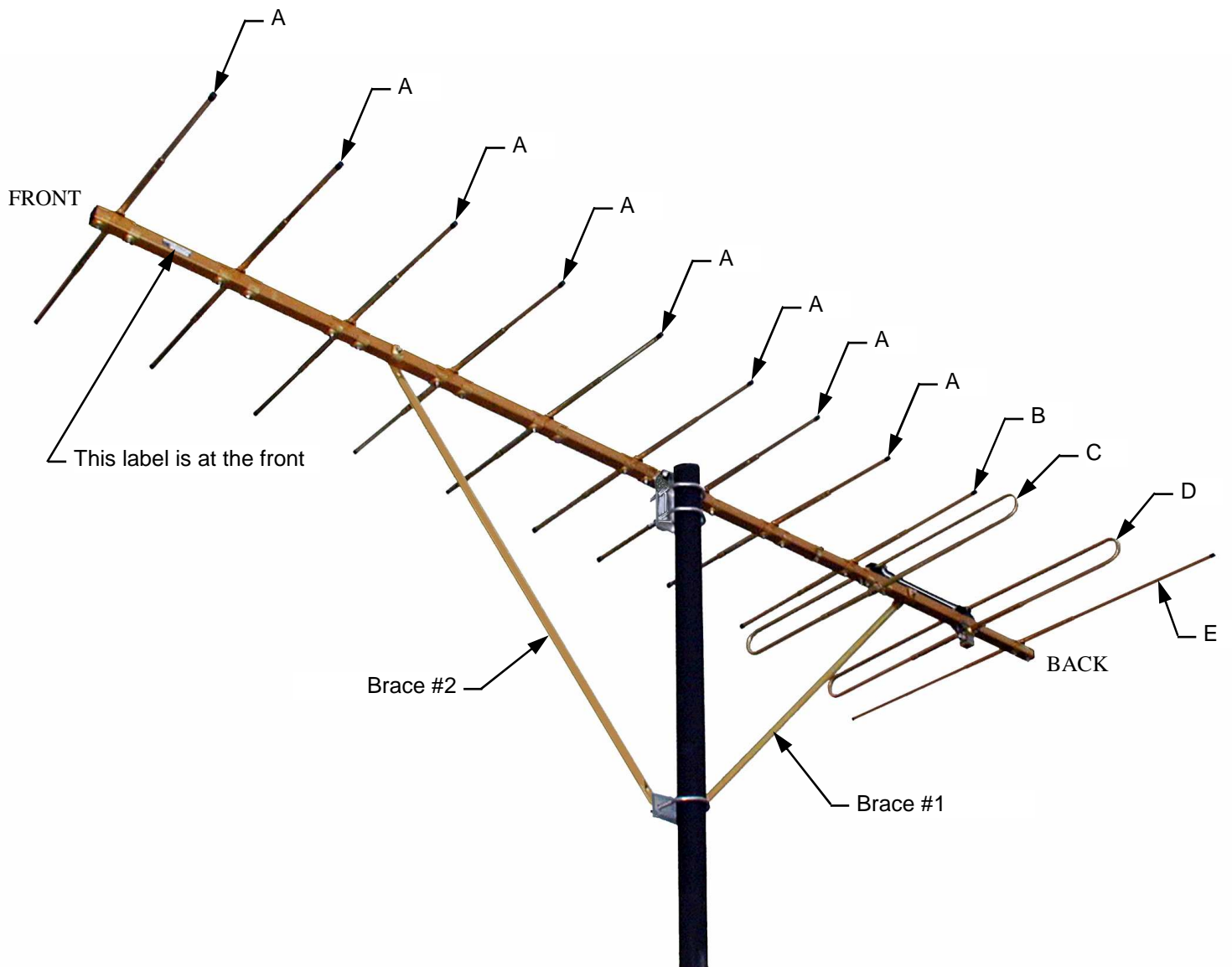


Figure 6

ELEMENT NO.	QUANTITY	ELEMENT LENGTH
A	8	30.00 in
B	1	32.00 in
C	1	37.00 in
D	1	40.00 in
E	1	50.00 in