

AS-390/SRC & AS-390 UHF ANTENNA MODELS

The AS-390/SRC, and v-bolt mount version, is a vertically polarized broadband coaxial stub antenna designed for the UHF communication band. It has been designed to withstand the most severe weather conditions. Protection from lightning is provided by grounding the top section through a stainless steel tie rod to the antenna ground plane.

Installation Steps:

1. Attach the mount to the under side of the ground plane with the 3/8-16 bolts and lock washers. (Figure 1)
2. Secure all eight (8) elements to ground plane with supplied #10-32 x 1/2" screws and lock washers. (Figure 2.)
3. Twist and secure the hub onto mast (SRC model).
4. Attach antenna to mast using supplied v-bolts and hardware in the orientation preferred. (V-Bolt model, Figure. 3)
5. Attach downlead and weatherproof connection appropriately.

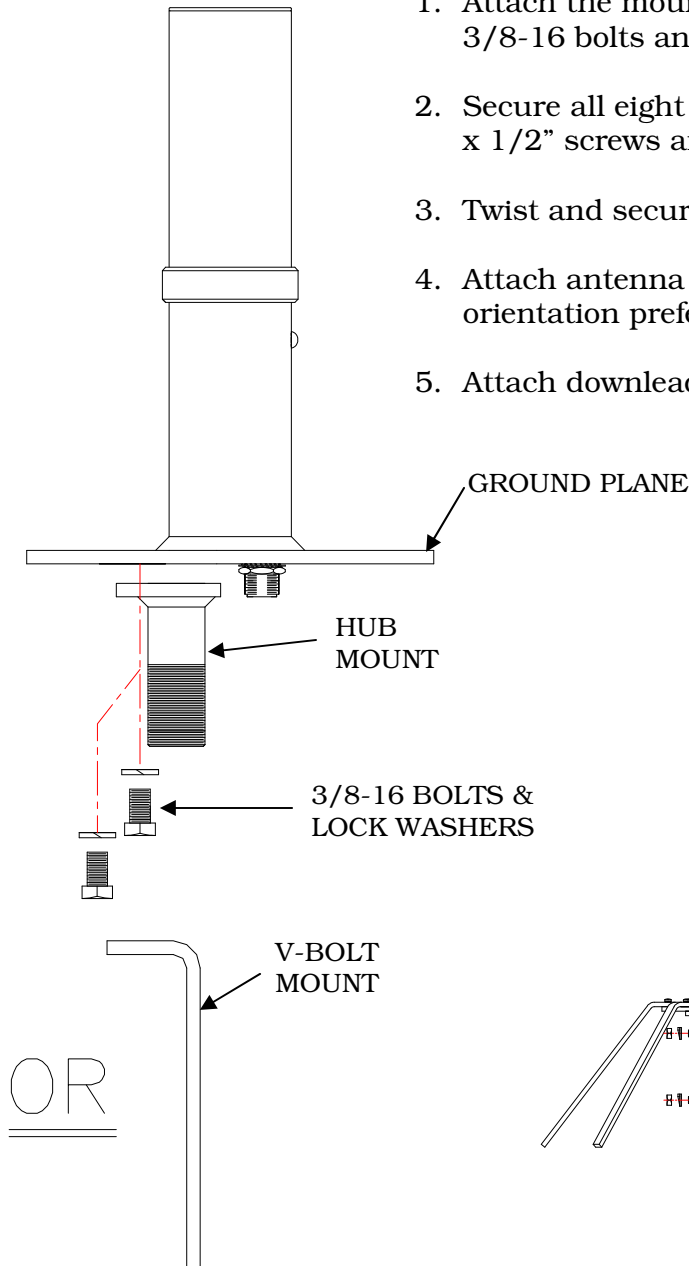


FIGURE 1

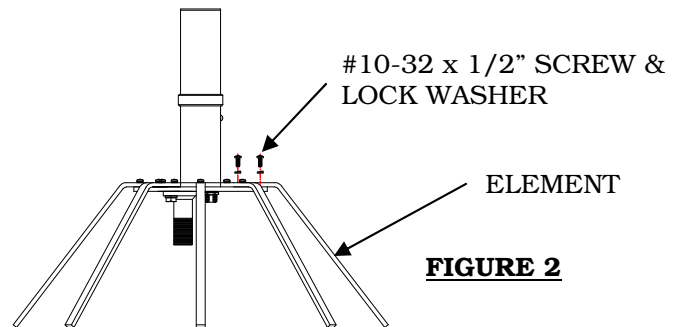


FIGURE 2

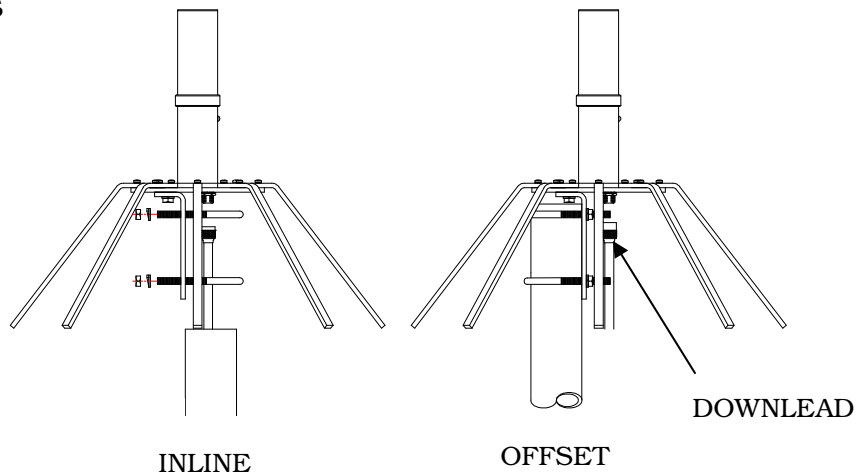


FIGURE 3 - U-BOLT MOUNTING ORIENTATIONS