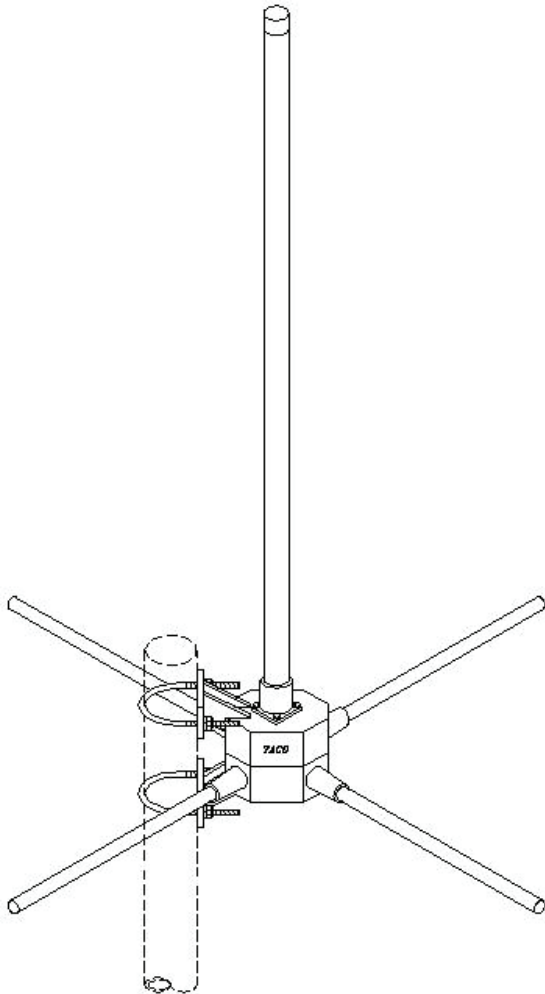


OFT-EP OMNI DIRECTIONAL Single Array Antenna

The OFT-EP is an omni directional, elliptically polarized antenna for differential communications (LADGPS) between ground and aircraft. It is a combination of a horizontally polarized loop antenna and a vertically polarized dipole antenna, with a power split of 75%-25% respectively.

Specifications



ELECTRICAL

MODEL	OFT-EP
Frequency (MHz)	108 - 118
Gain (dBi Nominal)	Horiz. Polarization 0.75 dBi (-1.25 dBd) Vert. Polarization -4.0 dBi (-6 dBd)
VSWR	Less than 1.6:1
Terminal Type	"N" Female
Terminal Impedence	50 Ohms
Maximum Power	40 Watts
Lightning Protection	DC GROUND

MECHANICAL

MODEL	OFT-EP
Height (Max)	62.0 in. (157.5 cm)
Width (Max)	58.0 in. (147.3 cm)
Mount (Mast Dia.)	2 - 3 in. (3 in. u -bolt)
Weight	7.5 lbs (7.95 kg)

TACO Antenna's ongoing policy of continuing development may result in specification changes to its products.

US AND INTERNATIONAL SALES AGENT

TACO Antenna Sales Rep

Tel: 717.975.0885
Toll Free: 866.975.4433
Fax: 717.763.0469
Email: sales@tacoantenna.com
Web Site: www.tacoantenna.com

CANADIAN SALES OFFICE

TACO Antenna

A division of Wade Antenna, Inc.
29 Sharp Road,
Brantford, Ontario, N3T 5L8, Canada
Tel: 519.756.7157
Fax: 519.756.5056
cansales@tacoantenna.com