

# QUICK SCREEN GROUND PLANE ASSEMBLY FOR HELICAL ANTENNAS

## Instructions:

Prior to installation carefully read through the instructions and study all figures on how to assemble quick screen ground plane to the helical antenna.

The side view of helical antenna is shown in Figure 1, identifying some of the basic antenna components and the location of quick screen ground plane.

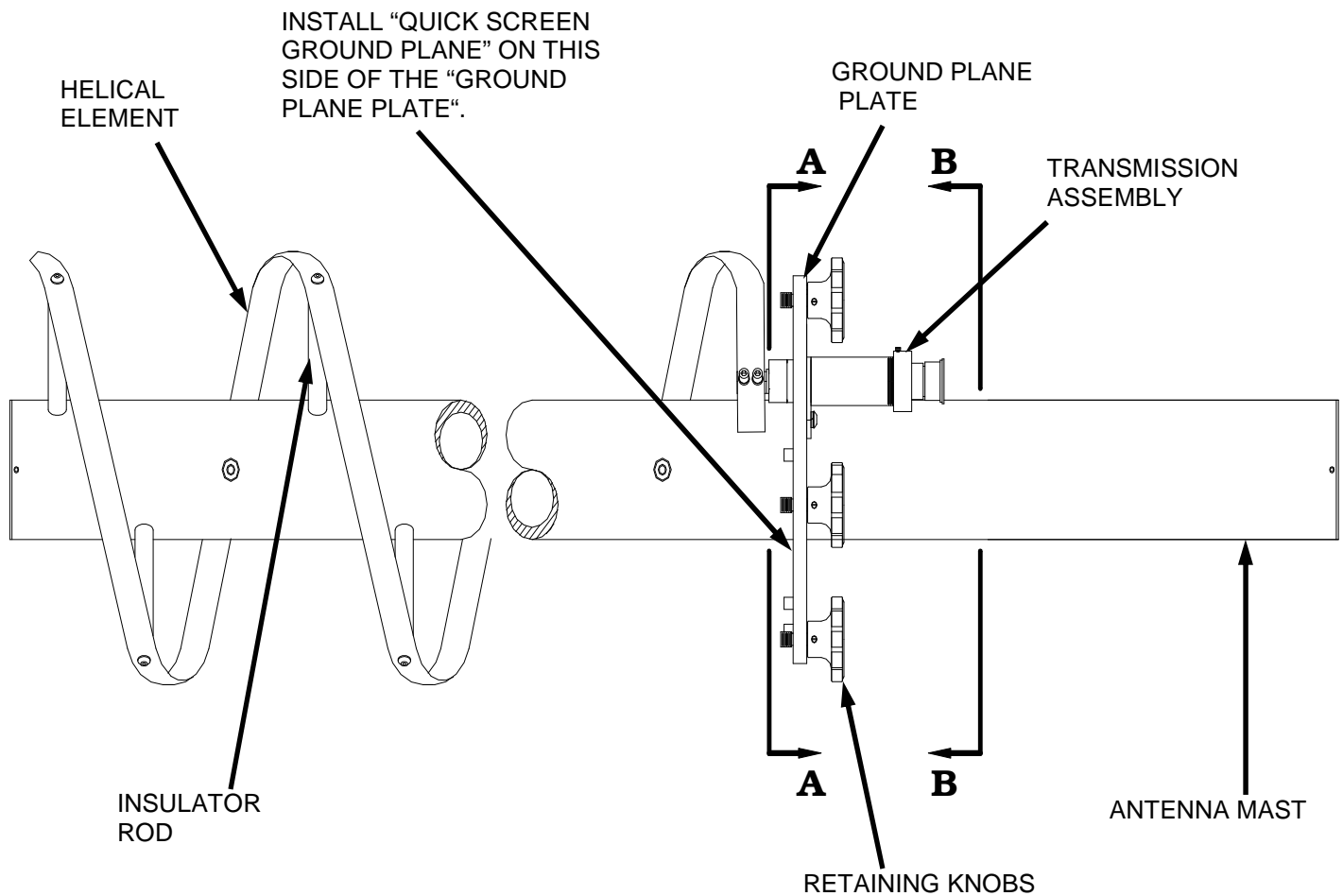
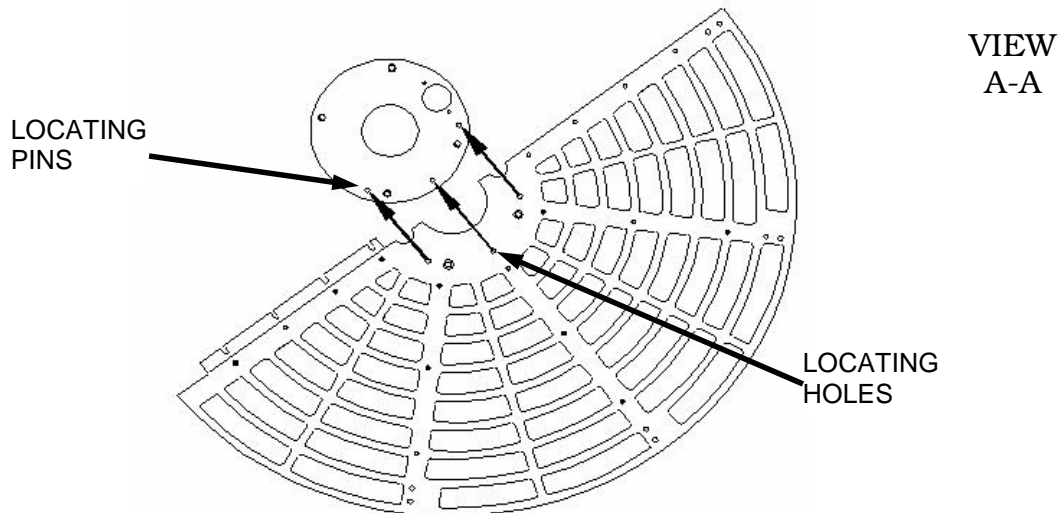


FIGURE 1

Prior to installing quick screen ground plane mount antenna to appropriate mast or tripod.

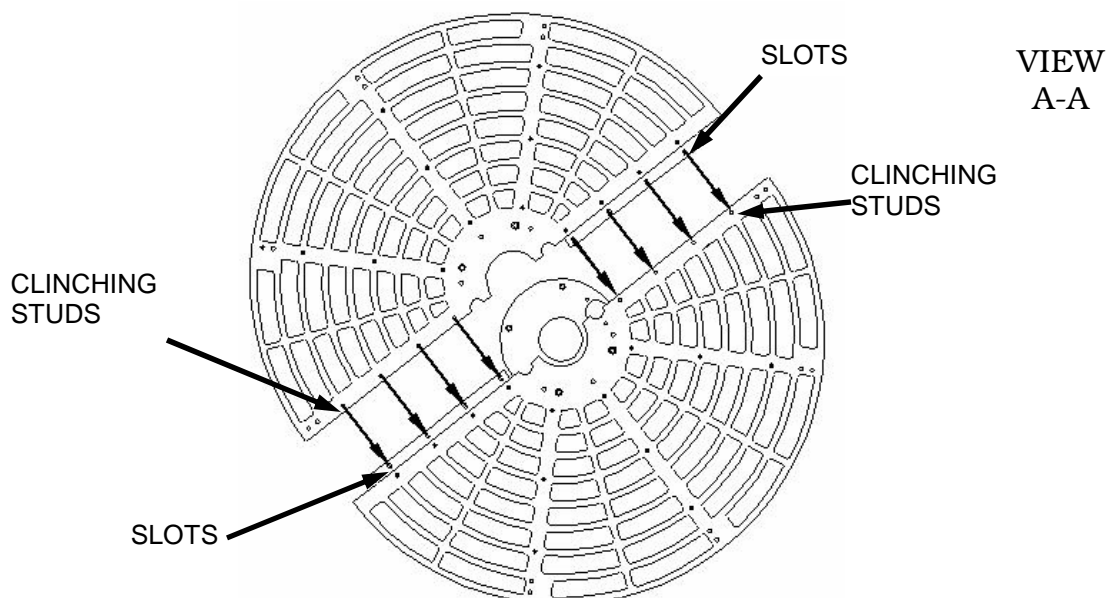
### **FIRST QUICK SCREEN GROUND PLANE HALF INSTALLATION**

- Align locating holes to locating pins.
- Apply pressure to quick screen ground plane to snap in place.
- Once the quick screen is flush with ground plane plate, hand tighten retaining knobs (do not over tighten knobs).



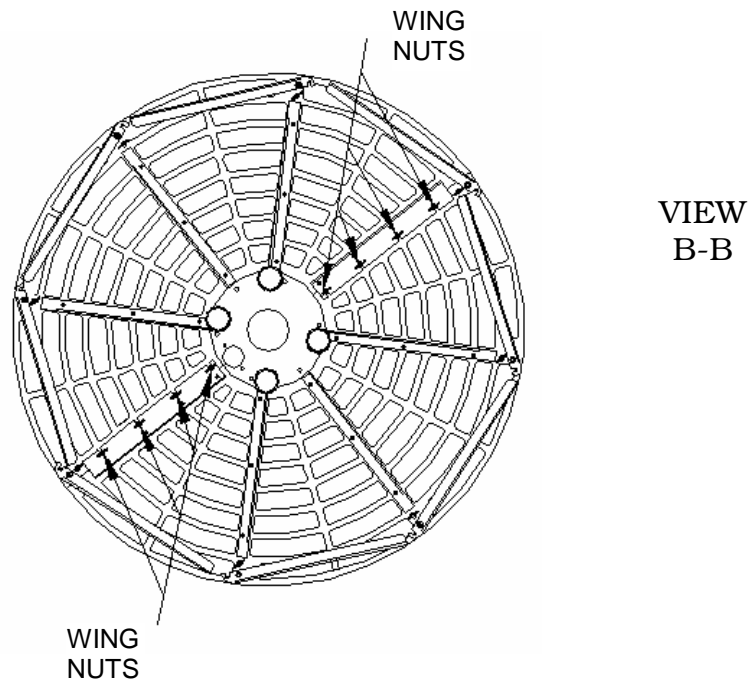
### **SECOND QUICK SCREEN GROUND PLANE HALF INSTALLATION**

- Align four clinching studs to four corresponding slots and slide the quick screen ground plane as far as it can go.
- Use retaining knobs to secure second quick screen ground plane in place.



## **WING NUT ATTACHMENTS**

- Once the retaining knobs are tightened, proceed with installation and tighten the wing nuts.



## **QUICK SCREEN GROUND PLANE EXTENSIONS**

- If your antenna came with folded extensions, unfold quick screen ground plane extensions and tighten the wing nuts.

