

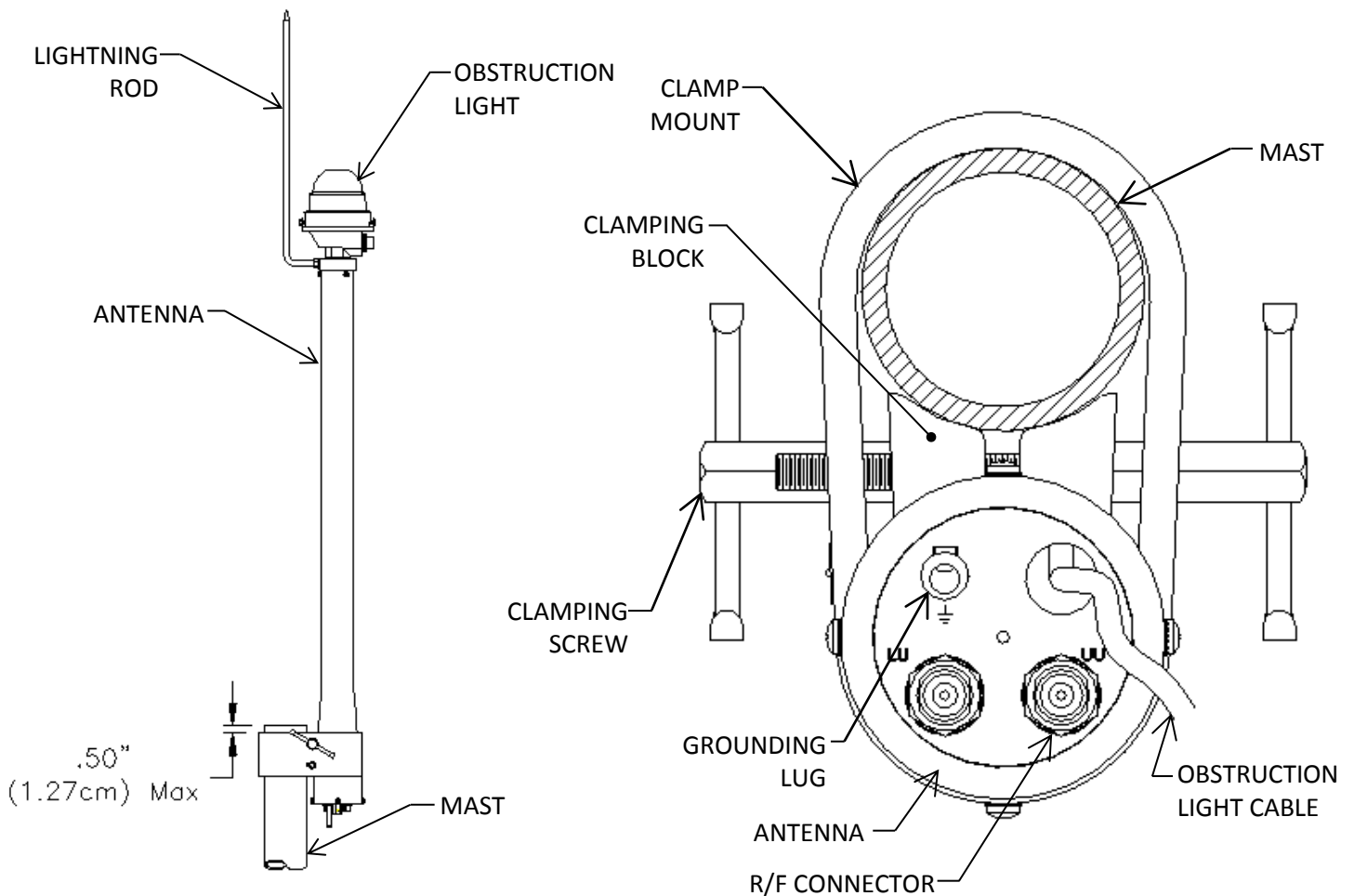
D2000 SERIES MULTIPOL

WARNING!!

A QUALIFIED STRUCTURAL ENGINEER SHOULD BE CONSULTED PRIOR TO MOUNTING AN ANTENNA ON A TOWER OR SUPPORT STRUCTURE.

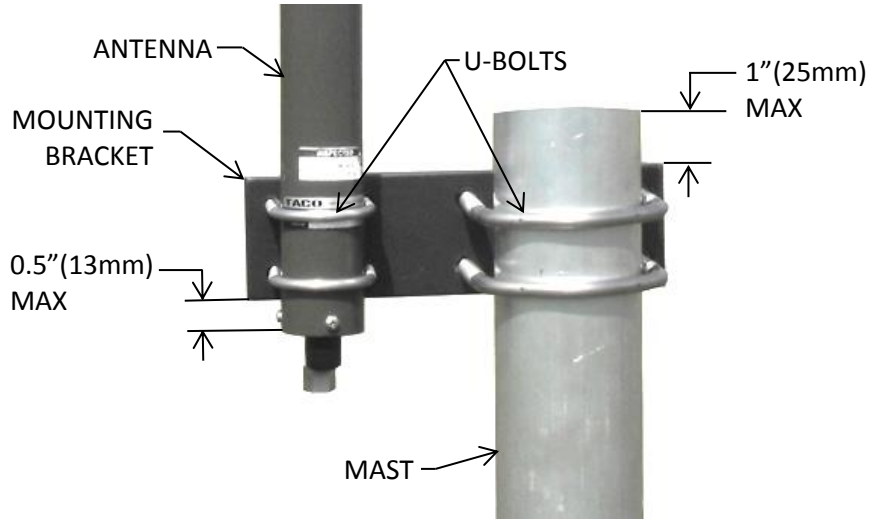
MOUNT ASSEMBLY – TYPE A

- 1) If shipped with a Lightning Rod, screw it into the threaded hole at the top of the antenna, then tighten nut to lock it in place. Ensure the lightning rod is oriented as shown below.
- 2) Open the clamping blocks of the mount as far as they will go.
- 3) Slide the antenna onto the mounting pipe (mast, Not Included).
- 4) Tighten the two hand screws on the clamp mount. Note: The mast should not project above the clamp mount by more than .50" (13mm)
- 5) Connect the downleads to the antenna.
- 6) If shipped with an obstruction light, have a qualified electrician perform required work to connect to the power supply.
- 7) Weatherproof all connections appropriately.



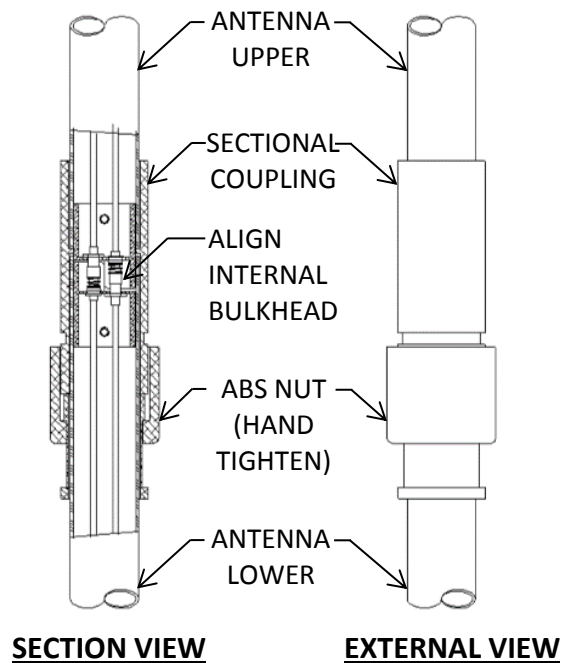
MOUNT ASSEMBLY – TYPE B

- 1) If shipped with a lightning rod, screw it into the threaded hole at the top of the antenna, then tighten nut to lock it in place. Ensure lightning rod is oriented as shown on previous page.
- 2) Loosely assemble the U-Bolts through the mounting bracket.
- 3) Slide the antenna through one set of U-Bolts and tighten the hex nuts, but do not over tighten.
- 4) Slide the mast (Not Included) through the other set of U-Bolts and tighten in place. Note that the mast should not project above the mounting bracket more than 1”(25mm).
- 5) Connect the downleads to the antenna.
- 6) If shipped with an obstruction light, have a qualified electrician perform required work to connect to the power supply.
- 7) Weatherproof all connections appropriately.



TWO PIECE ANTENNA ASSEMBLY

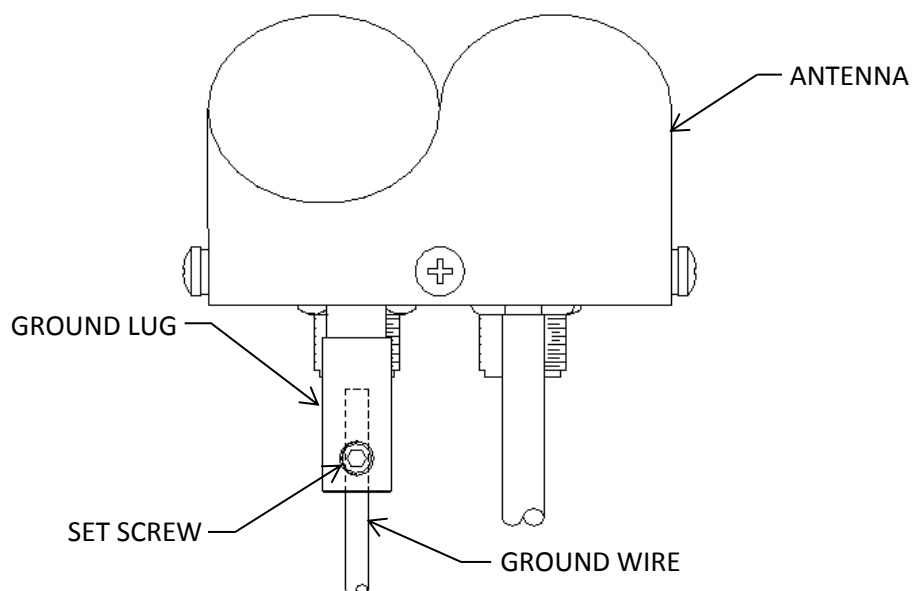
- 1) Align internal bulkhead plates.
- 2) Slide antenna upper section over lower section
- 3) Hand tighten ABS nut until connections are seated properly
- 4) See Page 1 for instructions on mounting to the mast.



GROUNDING

To protect your antenna and receiver from lightning damage, you should ground your equipment, to do so follow the instructions below.

- 1) Slide the ground wire (#6 recommended) into the ground lug as shown below and tighten the set screw.
- 2) Connect the ground wire to a ground rod driven at least four feet into the ground.
- 3) Keep the antenna and cable a safe distance from any power lines.



REPLACEMENT PARTS

To obtain replacement parts please contact us directly at our offices at:

Canada

Tel: 519-756-7157

Fax: 519-756-5056

U.S.A./Int'l

Tel: 717-975-0885

Fax: 717-763-0469

Email: sales@tacoantenna.com

Website: www.tacoantenna.com

DISPOSAL INFORMATION

TACO Antenna is committed to meeting all requirements of the WEEE directive (2012/19/EU). The WEEE directive requires that manufacturers of electrical and electronic equipment who sell into EU countries: (1) label their equipment to notify customers that it needs to be recycled, and (2) ensure that their products are appropriately disposed of or recycled at the end of their lifespan. For collection and return of TACO products, please contact your European TACO Antenna representative or distribution partner.

