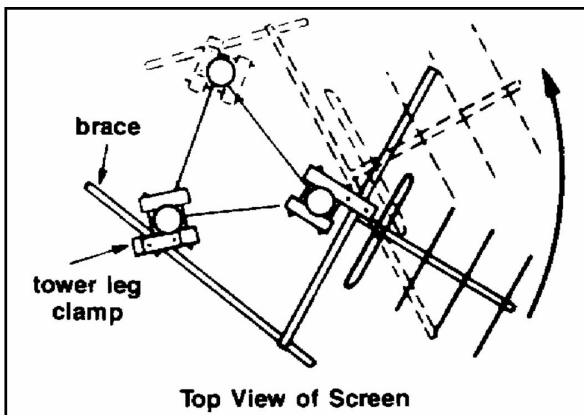
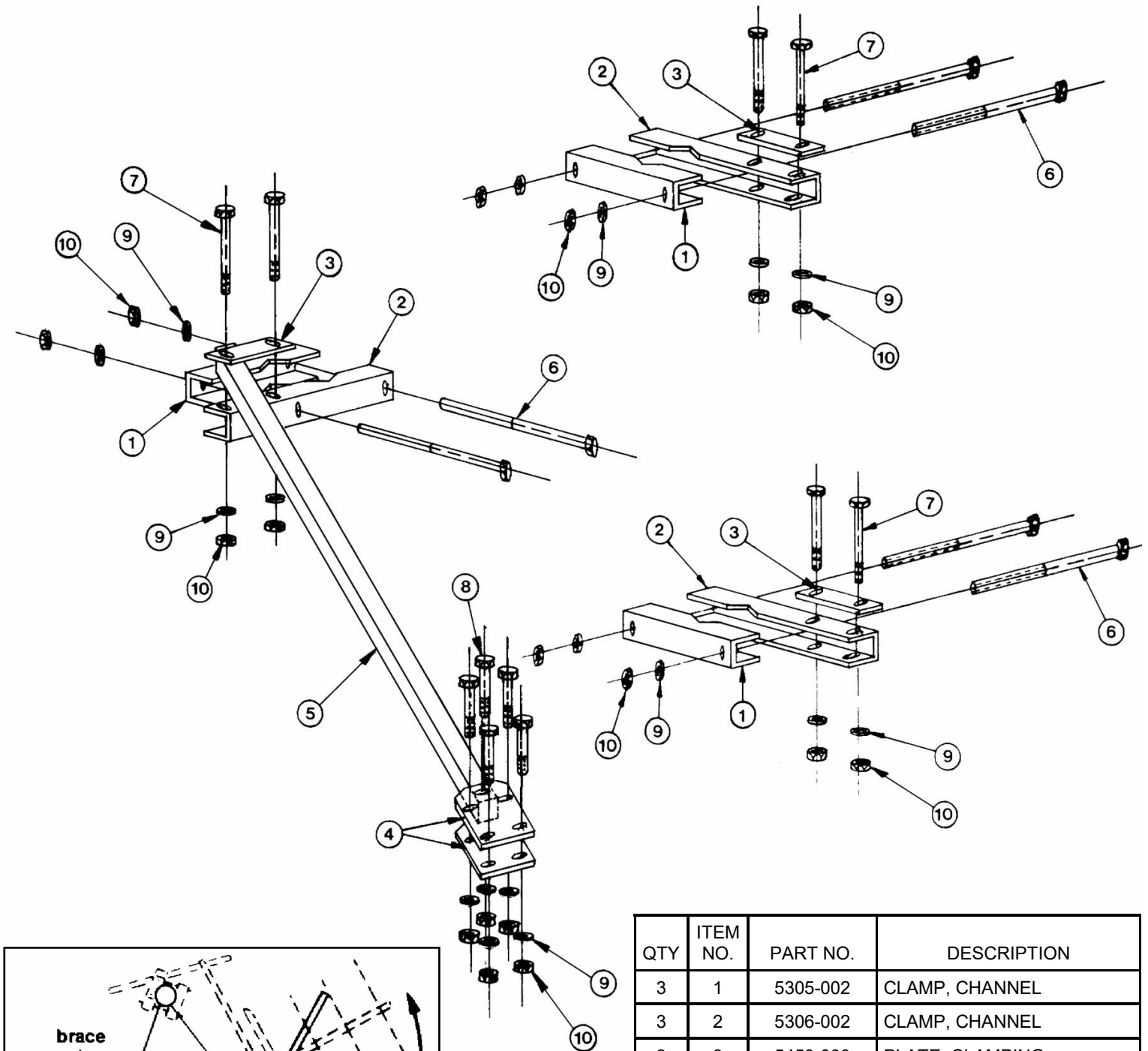


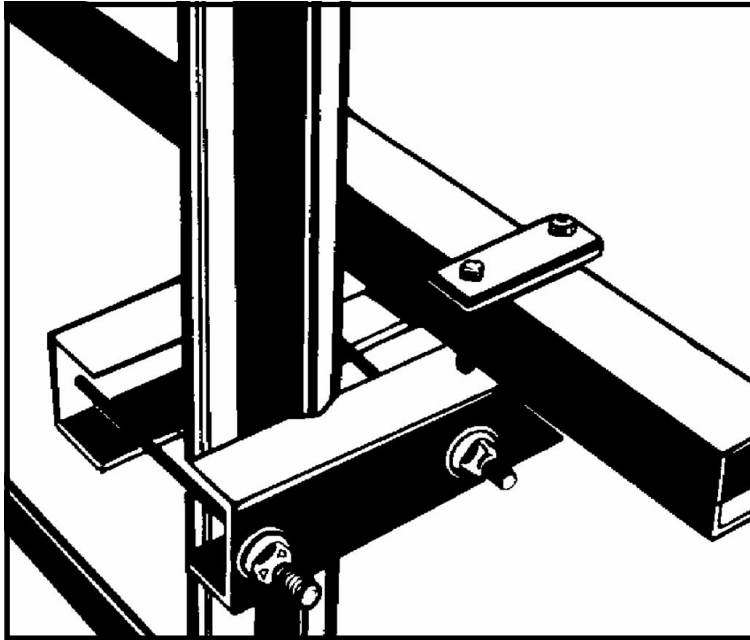
# SY-M-2 Screen-YAGI Mounting Kit



**NOTE:** Maximum clamping capacity - 7.62 in. dia. tower leg

QTY	ITEM NO.	PART NO.	DESCRIPTION
3	1	5305-002	CLAMP, CHANNEL
3	2	5306-002	CLAMP, CHANNEL
3	3	5450-000	PLATE, CLAMPING
2	4	5451-001	PLATE, CLAMPING
1	5	5453-002	TUBE, BRACE
6	6	25803-001	SCREW, HEX HD, SPECIAL
6	7	275022	SCREW, HEX HD (3/8-16x4.00)
5	8	275021	SCREW, HEX HD (3/8-16x2.50)
17	9	253000	WASHER, LOCK (3/8 SPLIT)
17	10	246313	NUT, HEX (3/8-16)

## TOWER LEG CLAMP



## SCREEN YAGI MOUNTING

