

INSTALLATION INSTRUCTION

**KEEP ANTENNA AND CABLES AT A SAFE DISTANCE FROM ANY POWER LINES.
TO PROTECT YOUR ANTENNA AND RECEIVER FROM LIGHTNING DAMAGE, ENSURE YOUR EQUIPMENT IS GROUNDED.**

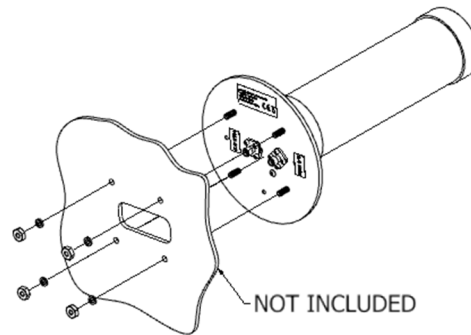
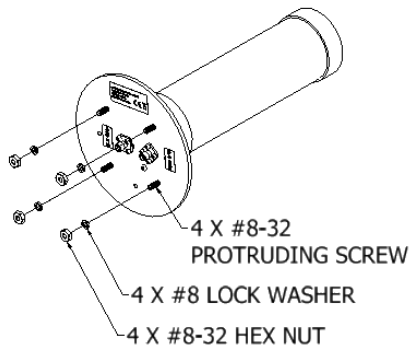
PACKAGE CONTENTS

- 1 x Antenna
- 4 x 8-32 Nut
- 4 x #8 Lock Washer
- VSWR test result

INSTALLATION OPTIONS

Panel Mounting

- Mount the antenna to the desired location using 4 protruding #8-32 screws, 4 lock washers, & 4 nuts
- Protruding screws #8-32 are equally spaced on a B.C.D. of 2.655" & can accommodate max. plate thickness of 1/8"
- Attach the feed line to the antenna connector and weatherproof all connections appropriately



Bracket Mounting (Sold Separately, Part # 642224)

- Attach the mounting bracket to protruding #8-32 screws and secure it with #8 lock washers and 8-32 nuts
- Attach the bracket to the mast using a mast clamp, U-bolt, 2 lock washers, & 2 nuts
- Mast clamp can accommodate mast size range from $\varnothing 1 \frac{1}{4}$ " to 2.0"
- The bracket can be mounted directly to a flat surface held by at least 2 screws (screws not provided). The holes clearance is $\varnothing 0.26$ "; use the appropriate screw size & length to secure the antenna in place
- Attach the feed line to the antenna connector and weatherproof all connections appropriately

