

TACO<sup>TM</sup>  
ANTENNA

**TACO MULTIPOL<sup>TM</sup>**  
THE SMARTER ANTENNA

Save Space,  
Time and Money



## CONNECT UP TO FOUR RADIOS TO A SINGLE ANTENNA

### Save Space

A single TACO MULTIPOL can connect up to four radios in one antenna, making for cleaner towers and reduced interference.

### Save Time

Fewer antennas to install and service saves time, now and over the long term.

### Save Money

Fewer masts required, less weatherproofing, lower maintenance costs.



## Military Models

### D2000 Standard Series

TACO's MULTIPOL<sup>TM</sup> Multiple Dipole Collinear Array concept employs a unique method of shielding the feed cables to improve radiation pattern characteristics.

The MULTIPOL<sup>TM</sup> also has a high degree of isolation between discrete elements within a closely spaced array. They have been specifically designed by TACO to be lightweight and compact for ground-air-ground, air traffic control and base communication military applications.

The result is small, rugged, easy to install antennas that minimize space and lend themselves to tactical transportable use in the most hostile environments.

Many VHF and UHF frequency configurations are available with up to 4 connectors.



TACO<sup>TM</sup>  
ANTENNA

[tacoantenna.com](http://tacoantenna.com)

SPEC0070\_M01

### SPECIFICATIONS

#### Environmental

- Designed to meet MIL-STD-810G
- Operating Temp. -40° to 70°C  
(-40° to 158°F)
- RoHS and REACH Compliant

#### Electrical

- Vertical Polarization
- Omni-directionality within 1 dB
- VSWR (max) 2:1 (except D2211, 2.3:1)
- Impedance 50 Ohms
- VHF Applied Power 350W
- UHF Applied Power 250W
- Vertical Beam Deviation ± 10° (horizon)
- 'N' Female connectors

VHF	MODEL	NUMBER OF CONNECTORS			GAIN (dBi)	ISOLATION MIN (dB)	HPBW (°)	**MOUNT TYPE / MAST RANGE (in)	ANTENNA LENGTH (in/cm)	ANTENNA WEIGHT (lbs/kg)	***STANDARD COLOR	NSN
		FREQUENCY (MHz)										
		108-174	116-150	150-174								
	D2212		2		2.0	30	75	A / 3	153.4/389.6	14.0/6.4	RAL 6022 OLIVE DRAB	5985-01-315-7443
	D2212A			2	2.0	30	75	A / 3	122.7/311.7	13.0/5.9	RAL 6022 OLIVE DRAB	
	D2216		1		2.0	N/A	75	B / 1.5-3	55.4/140.7	5.0/2.3	RAL 6022 OLIVE DRAB	5985-01-050-7522
	D2268	1			5.5	N/A	25	A / 3	201.4/511.6	23.3/10.6	RAL 6022 OLIVE DRAB	

UHF	MODEL	NUMBER OF CONNECTORS			GAIN (dBi)	ISOLATION MIN (dB)	HPBW (°)	**MOUNT TYPE / MAST RANGE (in)	ANTENNA LENGTH (in/cm)	ANTENNA WEIGHT (lbs/kg)	***STANDARD COLOR	NSN
		FREQUENCY (MHz)										
		225-400	400-470	400-500								
	D2214	2			2.0	30	75	A / 3	85.4/216.9	10.0/4.5	RAL 6022 OLIVE DRAB	5985-01-287-7682
	D2217	1			2.0	N/A	75	B / 1.5-3	33.4/84.8	4.0/1.8	RAL 6022 OLIVE DRAB	5985-01-129-7691
	D2219	3			2.0	30	75	A / 3	127.5/323.9	13.0/5.9	RAL 6022 OLIVE DRAB	5985-01-154-7328
	D2221	4			1.5	30	75	A / 3	169.4/430.3	17.0/7.7	RAL 6022 OLIVE DRAB	5985-01-315-5472
	D2236		1		6.5	N/A	22	A / 3	93.4/237.2	18.0/8.2	RAL 6022 OLIVE DRAB	
	D2262	1			4.5	N/A	40	B / 1.5-3	65.9/167.4	9.0/4.1	RAL 6022 OLIVE DRAB	
	D2263	1			6.5	N/A	20	A / 3	118.4/300.7	13.2/6.0	RAL 6022 OLIVE DRAB	
	D2266	1			9.5	N/A	11	A / 3	201.4/511.6	26.8/12.2	RAL 6022 OLIVE DRAB	
	D2266D	2			5.5	30	25	A / 3	201.4/511.6	27.0/12.3	RAL 6022 OLIVE DRAB	
	D2274A	2			2.0	30	75	B / 1.5-3	85.4/216.9	11.0/5.0	RAL 6022 OLIVE DRAB	
	D2288			4	1.5	30	75	A / 3	115.4/293.1	14.0/6.4	RAL 9003 WHITE	

VHF/UHF	MODEL	NUMBER OF CONNECTORS			GAIN (dBi)	ISOLATION MIN (dB)	HPBW (°)	**MOUNT TYPE / MAST RANGE (in)	ANTENNA LENGTH (in/cm)	ANTENNA WEIGHT (lbs/kg)	***STANDARD COLOR	NSN
		FREQUENCY (MHz)										
		108-174	116-150	225-400								
	D2118		1	2	2.0	30	75	A / 3	115.4/293.1	13.0/5.9	RAL 6022 OLIVE DRAB	5985-01-186-2740
	D2211*	1		1	1.5	N/A	75	A / 3	104.4/265.2	12.0/5.4	RAL 9003 WHITE	5985-01-568-9419
	D2213		1	1	2.0	32	75	A / 3	85.4/216.9	10.0/4.5	RAL 6022 OLIVE DRAB	5985-01-149-9091
	D2218		2	1	2.0	30	75	A / 3	169.4/430.3	16.0/7.3	RAL 6022 OLIVE DRAB	5985-01-301-5437
	D2241	1		1	1.5	41	75	A / 3	97.9/248.7	12.0/5.4	RAL 6022 OLIVE DRAB	
	D2282		2	2	2.0	30	75	A / 3	201.8/512.6	24.0/10.9	RAL 6022 OLIVE DRAB	
	D2282-W		2	2	2.0	30	75	A / 3	201.8/512.6	24.0/10.9	RAL 9003 WHITE	
	D2295		1	2	2.0	30	75	A / 3	116.6/296.2	16.0/7.3	RAL 9003 WHITE	5985-01-383-8620
	D2296		2	1	2.0	30	75	A / 3	196.4/498.9	31.0/14.1	RAL 9003 WHITE	5985-01-383-8569

\* Simultaneous VHF/UHF with one connector

\*\* See 'Mount Types', page 3

\*\*\* Other Options Available:

RAL 6020 Green (Carc), RAL 7012 Grey, and RAL 9005 Black

NOTE: Lightning Rod option available on some models

### WIND LOADING

VHF	MODEL		D2212	D2212A	D2216	D2268
	PROJECTED AREA (ft <sup>2</sup> )	NO ICE	1.95	1.61	0.55	3.30
		½" RADIAL ICE	3.07	2.53	0.93	4.80
	BEND MOMENT (ft-lbs)	*NO ICE	296.2	191.6	31.5	733.7
		**1/2" RADIAL ICE	121.3	78.9	13.4	267.9
***SURVIVAL RATING (mph)(NO ICE)		110	140	150	120	

UHF	MODEL		D2214	D2217	D2219	D2221	D2236	D2262	D2263	D2266	D2266D	D2274A	D2288
	PROJECTED AREA (ft <sup>2</sup> )	NO ICE	1.21	0.32	1.61	2.12	1.62	1.00	1.57	3.30	3.30	1.31	1.54
		½" RADIAL ICE	1.87	0.54	2.53	3.37	2.36	1.45	2.45	4.80	4.80	1.92	2.40
	BEND MOMENT (ft-lbs)	*NO ICE	97.4	10.5	191.6	359.1	165.3	72.2	179.9	733.7	733.7	122.5	171.4
		**1/2" RADIAL ICE	39.5	4.6	78.9	147.9	61.1	26.9	73.4	267.9	267.9	45.3	69.9
***SURVIVAL RATING (mph)(NO ICE)		150	150	140	100	150	150	145	120	120	150	150	

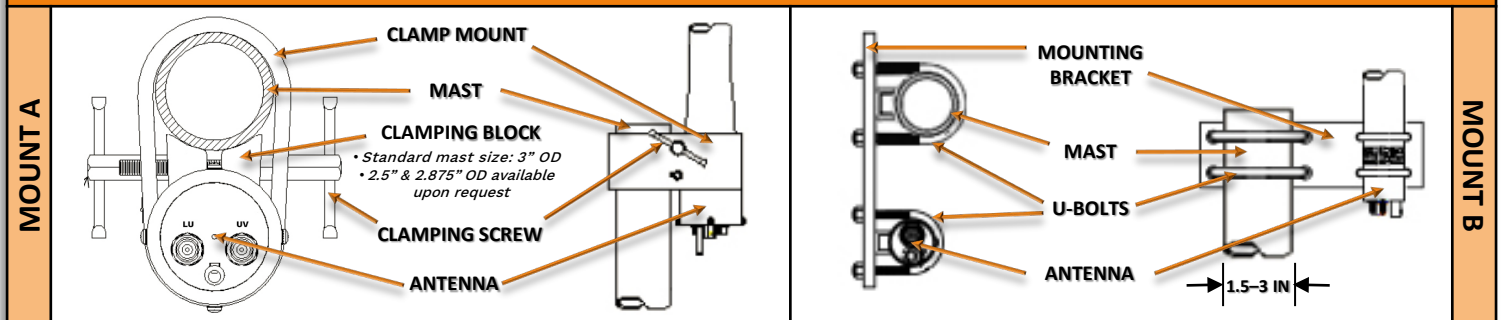
VHF/UHF	MODEL		D2118	D2211	D2213	D2218	D2241	D2282	D2282-W	D2295	D2296
	PROJECTED AREA (ft <sup>2</sup> )	NO ICE	1.54	1.42	1.21	2.12	2.21	3.30	3.30	1.50	3.01
		½" RADIAL ICE	2.40	2.21	1.87	3.37	2.09	4.80	4.80	2.35	4.37
	BEND MOMENT (ft-lbs)	*NO ICE	171.4	141.4	97.4	359.1	125.6	733.7	733.7	163.0	613.5
		**1/2" RADIAL ICE	70.0	58.1	39.5	148.0	51.1	267.9	267.9	66.5	222.3
***SURVIVAL RATING (mph)(NO ICE)		150	150	150	100	150	120	120	150	N/A	

\* Wind Speed = 100 mph

\*\* Wind Speed = 50 mph

\*\*\* Safety Factor of 1.65 Included Per TIA-329

### MOUNT TYPES



#### ALSO AVAILABLE:

- VHF & UHF multiple antenna combinations
- Series designed specifically for both shipboard and civil air traffic control installations
- Two-piece, integrated LED and lightning finial models

Please contact us for further details.

TACO Antenna's ongoing policy of continuing development may result in specification changes to its products.

## TACO ANTENNA

(A division of Wade Antenna, Inc.)  
29 Sharp Rd, Brantford, Ontario  
Canada N3T 5L8  
[www.tacoantenna.com](http://www.tacoantenna.com)

[www.tacoantenna.com/contact-us](http://www.tacoantenna.com/contact-us)