

INSTALLATION INSTRUCTION

**KEEP ANTENNA AND CABLES AT A SAFE DISTANCE FROM ANY POWER LINES.
TO PROTECT YOUR ANTENNA AND RECEIVER FROM LIGHTNING DAMAGE, ENSURE YOUR EQUIPMENT IS GROUNDED.**

PACKAGE CONTENTS

- | | | | |
|----------------------|-----------------------|-----------------------------|----------------------|
| • 1 x Antenna | • 4 x #10 Flat Washer | • 1 x ¼ -20 U-Bolt | • 2 x ¼ -20 Lock Nut |
| • 4 x 10-32 Lock Nut | • 1 x Mast Clamp | • 2 x 5/8" O.D. Flat Washer | • VSWR test result |

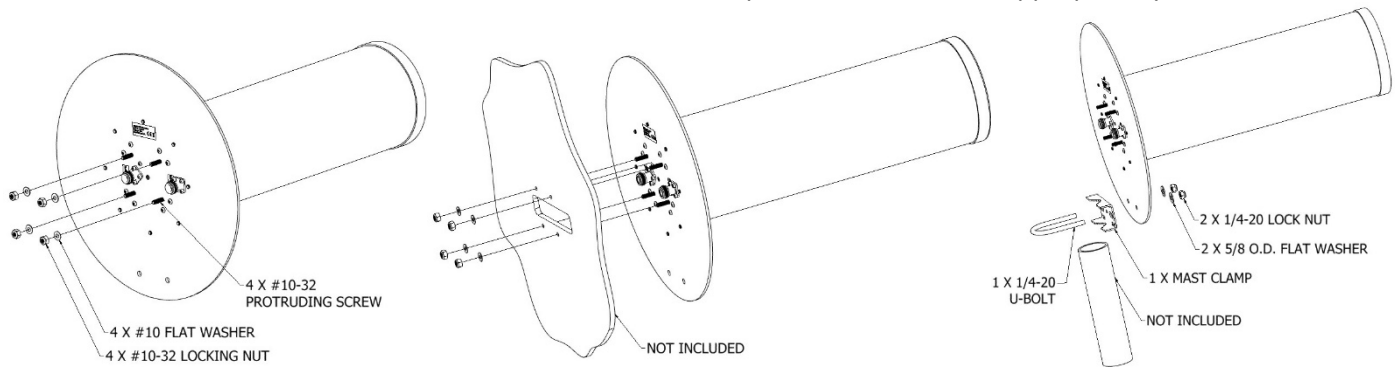
INSTALLATION OPTIONS

Panel Mounting

- Mount the antenna to the desired location using 4 protruding #10-32 screws, 4 flat washers, & 4 lock nuts
- Protruding screws #10-32 are equally spaced on a B.C.D. of 2.655" & can accommodate max. plate thickness of ¼"
- Attach the feed line to the antenna connector and weatherproof all connections appropriately

Mast Mounting

- Mount the antenna to the mast using a mast clamp, U-bolt, 2 flat washers, & 2 lock nuts
- Mast clamp can accommodate mast size range from Ø1 ¼" to 1 ½"
- Attach the feed line to the antenna connector and weatherproof all connections appropriately



Bracket Mounting (Sold Separately, Part # 642224)

- Attach the mounting bracket to protruding #10-32 screws and secure it with #10 flat washers and 10-32 lock-nuts
- Attach the bracket to the mast using a mast clamp, U-bolt, 2 lock washers, & 2 nuts
- Mast clamp can accommodate mast size range from Ø1 ¼" to 2.0"
- The bracket can be mounted directly to a flat surface held by at least 2 screws (screws not provided). The holes clearance is Ø 0.26"; use the appropriate screw size & length to secure the antenna in place
- Attach the feed line to the antenna connector and weatherproof all connections appropriately

