

HM-5 INSTALLATION INSTRUCTIONS

NOTE: TO SATISFY MOUNTING REQUIREMENTS, ADHERE TO THE STATED TORQUE REQUIREMENTS.

1. Remove tripod mount from crate, place it on its feet and open/spread the tripod legs using the T-handle screw.
2. Level the tripod mount using the adjustable legs and finish by tightening the adjustable leg bolts.
Note: A level is pre-assembled to the azimuth pivot bracket.
3. Prior to securing tripod mount to mounting surface, make sure to place rubber foot pads between the mounting surface and the tripods mounting feet. Utilize 5/8" diameter holes in the tripods feet, to securely anchor tripod to mounting surface.
4. Attach the counterweight handles by utilizing provided hardware (bolt, lock washer, flat washer)
5. Place the antenna mast into the elevation pivot bracket in the **HORIZONTAL POSITION** and secure using the mast clamp screw to 40 FT*LB (dry).
6. Place counterweights to balance the system and secure them by tightening the shaft collars set screw.
Note: See Table 2 for counterweight requirement information.
7. Lock into the desired position using azimuth lock wrench and elevation lock bolts. Torque elevation lock bolts to 60 FT*LB (dry).

TABLE 1 – PART IDENTIFICATION LIST	
ITEM	DESCRIPTION
1	T-HANDLE ADJUSTMENT SCREW
2	ADJUSTABLE LEG BOLT
3	ELEVATION PIVOT BRACKET
4	COUNTERWEIGHT HANDLE
5	BOLT, LOCK & FLAT WASHER
6	MAST CLAMP SCREW
7	COUNTERWEIGHT
8	COUNTERWEIGHT SHAFT COLLAR
9	ELEVATION LOCK BOLT
10	RUBBER FOOT PAD

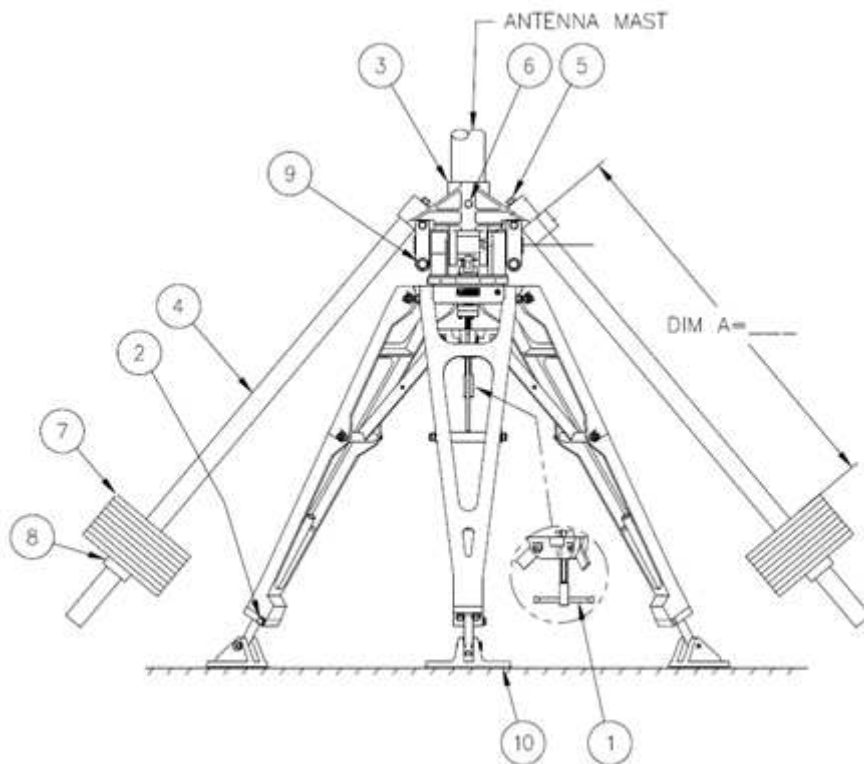


FIGURE 1 - HM-5 MOUNT FOR ANTENNA MODEL H-124 IN VERTICAL ORIENTATION SHOWN

TABLE 2 – COUNTERWEIGHT INFO		
MODEL	DIM A=	COUNTERWEIGHTS PER HANDLE
H-124	30 3/8 in.	9
H-104	36 1/4 in.	6
H-084	25 1/4 in.	6
H-105	35 in.	6
H-085	29 3/4 in.	3
H-065	29 in.	3
H-084A	24 in.	6
H-064A	30 in.	3