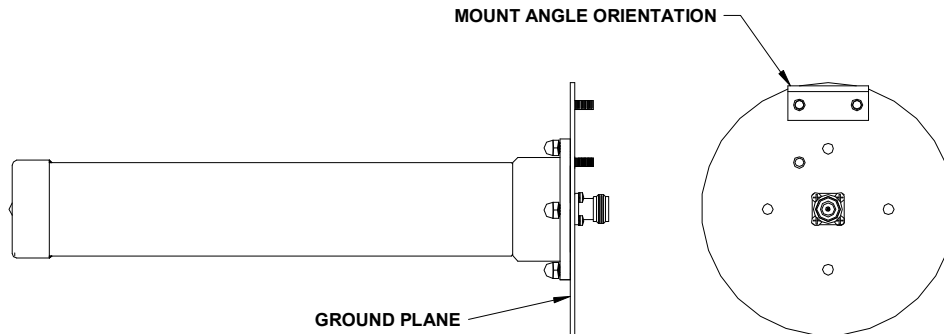


## INSTALLATION INSTRUCTIONS

**KEEP ANTENNA AND CABLES AT A SAFE DISTANCE FROM ANY POWER LINES.  
TO PROTECT YOUR ANTENNA AND RECEIVER FROM LIGHTNING DAMAGE, ENSURE YOUR EQUIPMENT IS GROUNDED.**

### ISM H-SERIES HELICAL ANTENNAS



The H-Series is a completely enclosed helical antenna. The dual polarization rear mount has been specifically designed for easy set up and adjustment. A 1-5/8" I.D. U-Bolt and saddle provide standard mast mounting for H-Series helical antennas with optional wall mount kit available.

#### Installation:

1. Assemble the mount to the back of the ground plane using 10-32 nut and lockwasher. See Figure 1 for orientation.
2. Mount the antenna to the mast using the supplied U-Bolt, mast clamp and hardware. See Figure 2.
3. Attach and weatherproof downlead, fine tune antenna for optimum signal, and secure antenna to mast.

