

**7000 Series Antenna**

Installation Instructions:

1. Bolt down antenna using bolts and lock-washers. Note the Mounting Flange hole size and positions from figure 2. Hardware shown in Figure 1 is not supplied and should be determined by a qualified Engineer.
2. Insert ground wire (recommend 6 Awg.) into hex ground lug and tighten set screw with supplied allen key. Do not weather proof grounded connection. (Figure 2)
3. Attach RF cables to the appropriate labeled connectors and waterproof connections. (Figure 2)

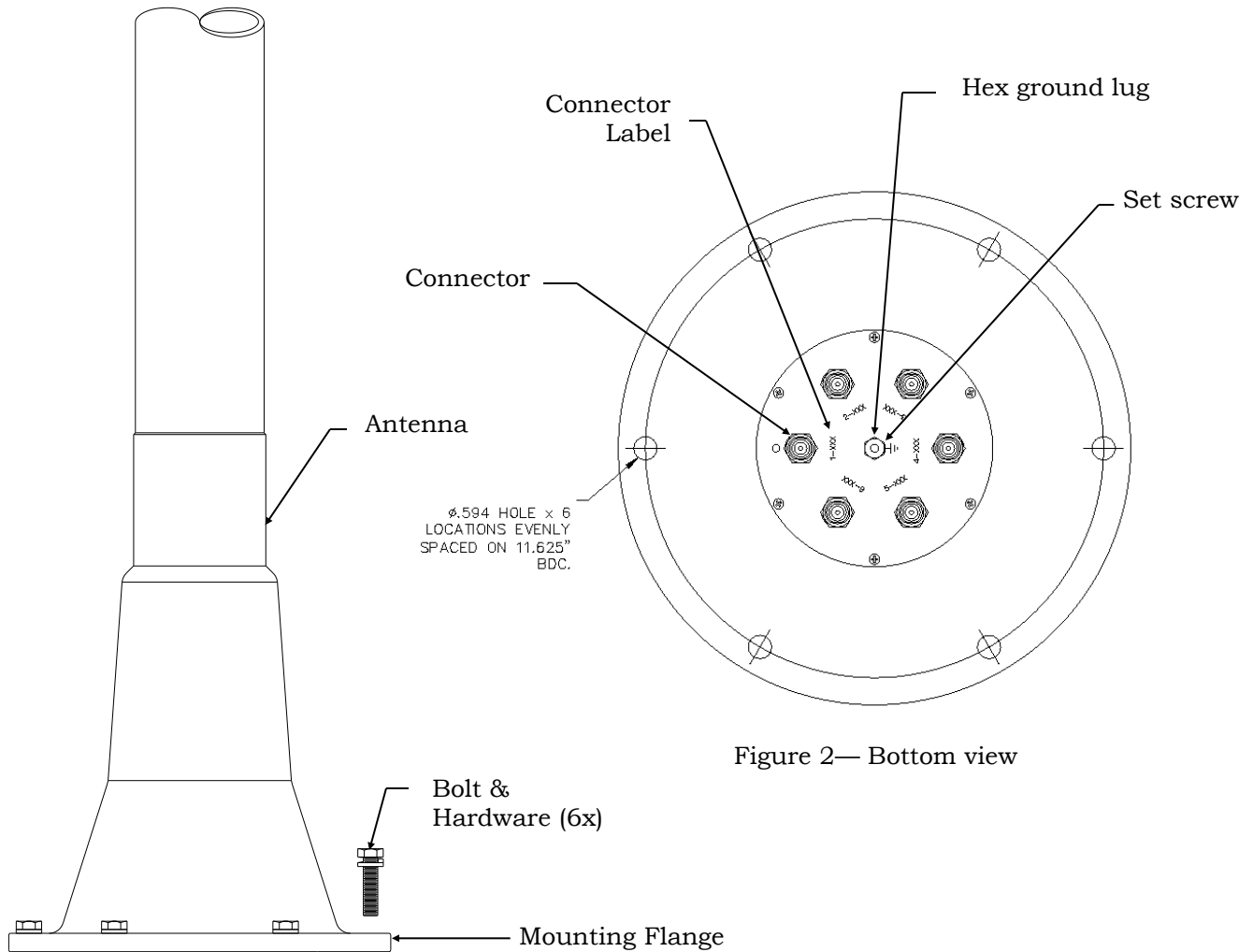


Figure 1— Antenna side view

Figure 2— Bottom view